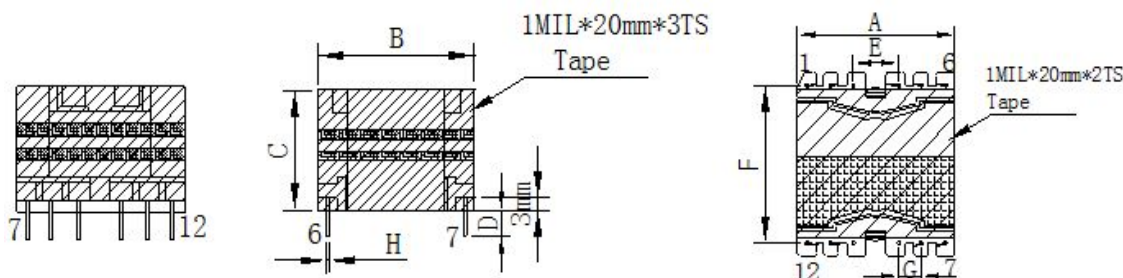


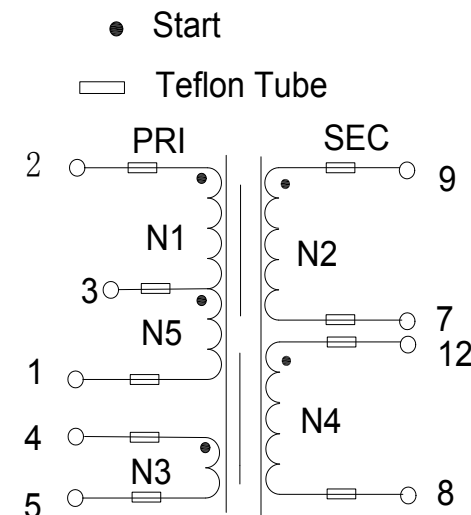
CUSTOMER TERMINAL	ROHS	Lead(Pb)-free
	YES	YES

1. Mechanical Dimensions



A	29.5	MAX
B	30.5	MAX
C	23.5	MAX
D	3.5	±0.5
E	7.6	±0.3
F	25.4	±0.4
G	3.8	±0.3
H	0.60	±0.1

2. Schematic Diagram



3. Material List

Core:FW95 PQ2620
 Bobbin:FWB2601(6+6PIN)
 Wire:2UEW TIW
 Operating Temperature: -30 to115 °C

4. Electrical Specification

Inductance: L(1-2):1.7mH±5% 30KHZ , 1V
 Leakage Inductance : 30uH MAX 30KHZ , 1V
 DCR:(4-5)=0.41ΩMAX (1-2)=1.4ΩMAX
 Hi-Pot:P-S: AC 60Hz 4000V 2.0mA 3S
 S-CORE: AC 60Hz 4000V 2.0mA 3S

REV.	DATE	 Convention Placement	DRW.	Drawing Title:	Part No:		
0	00/00		CHK.			TRANSFORMER	FWPTPQ2620V172J
			APP.			Customer P/N	Specification Sheet 1of 1
ROHS		www.ferriwo.com					